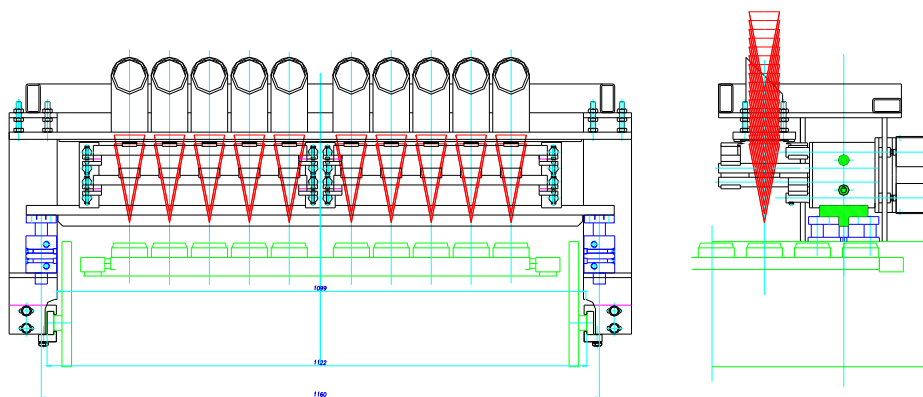


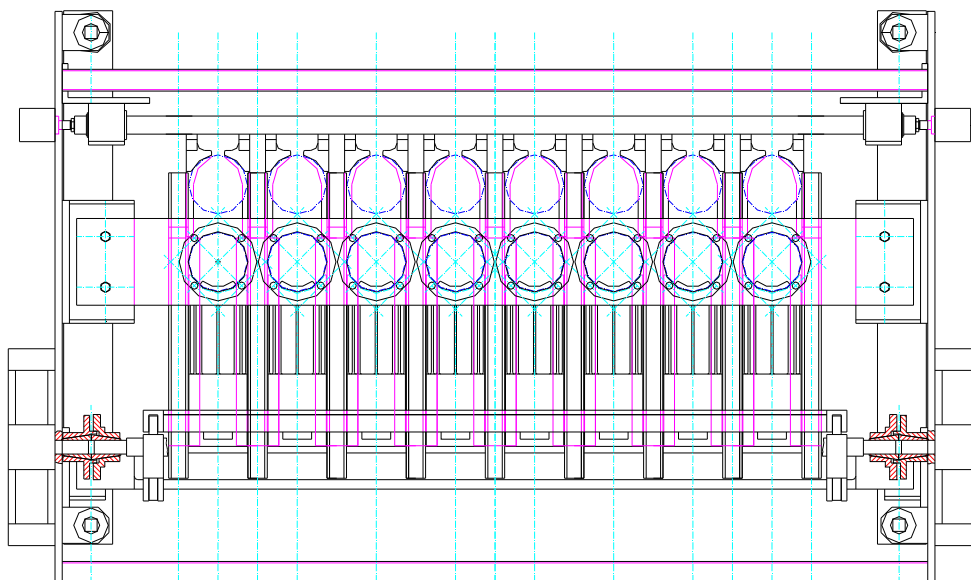
### **3. DISPENSERS & GRIPPER**

- COUPLED CONES DISPENSER 3.2**
- BISCUIT DISPENSER 3.3**
- PRODUCTS GRIPPER 3.4**
- CONTAINER GRIPPER 3.5**
- TURN OVER DISPENSER FOR TUBS 3.6**

## COUPLED CONES DISPENSER WAFFLE - SLIVE

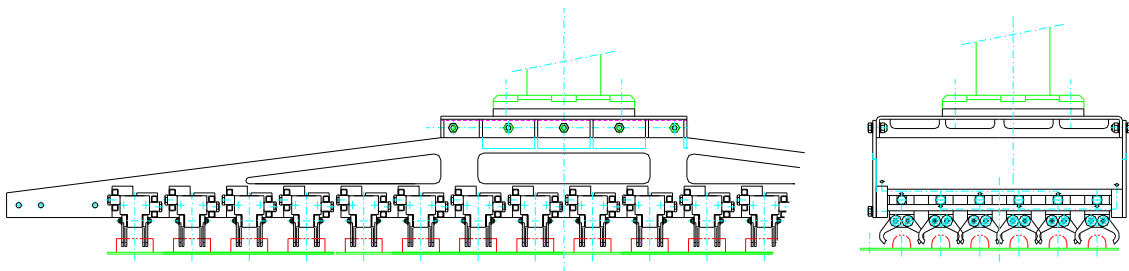
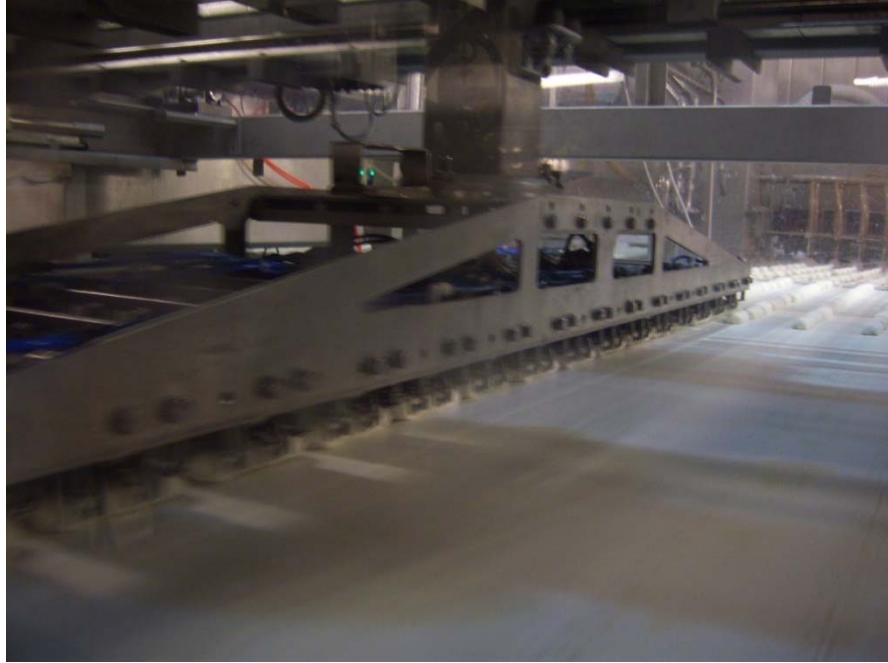


## BISCUIT DISPENSER

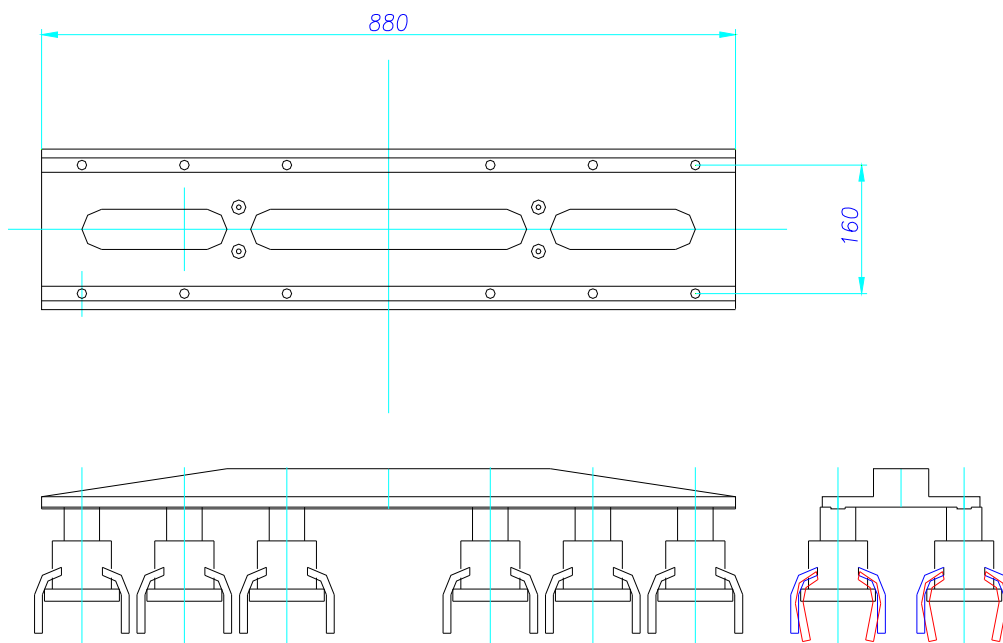


## GRIPPER TO TAKE AND TRANSFER

# PRODUCTS



## GRIPPER TO TAKE AND TRANSFER PRODUCTS



## TUB DISPENSER

